

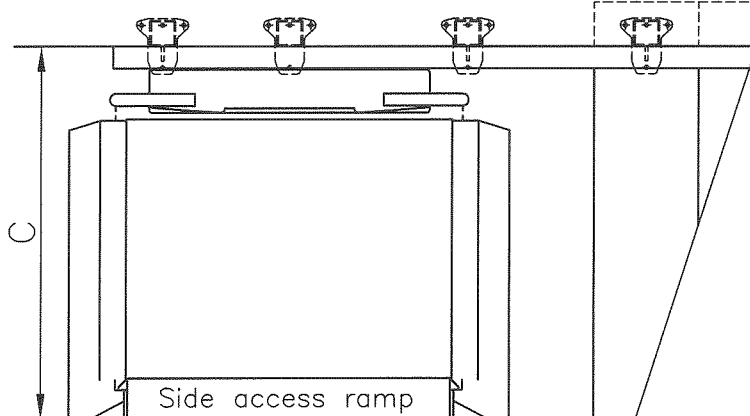
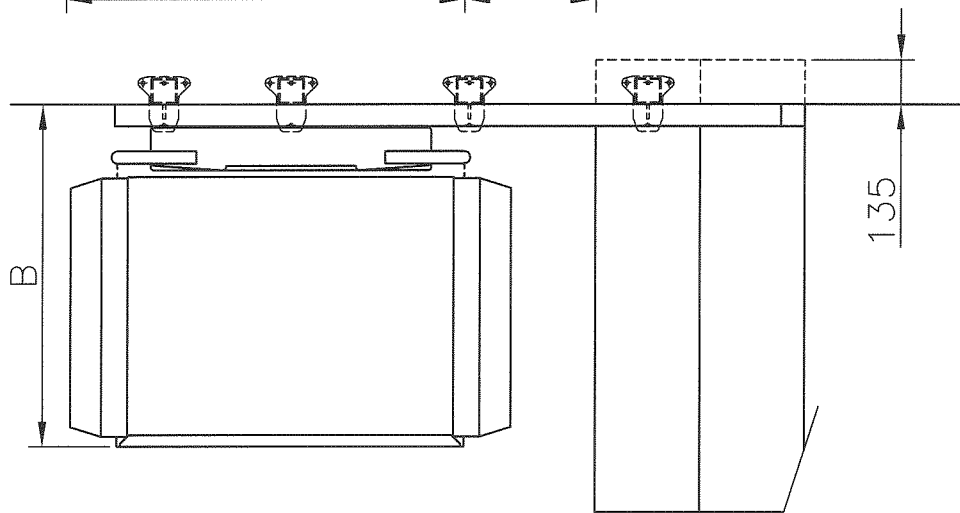
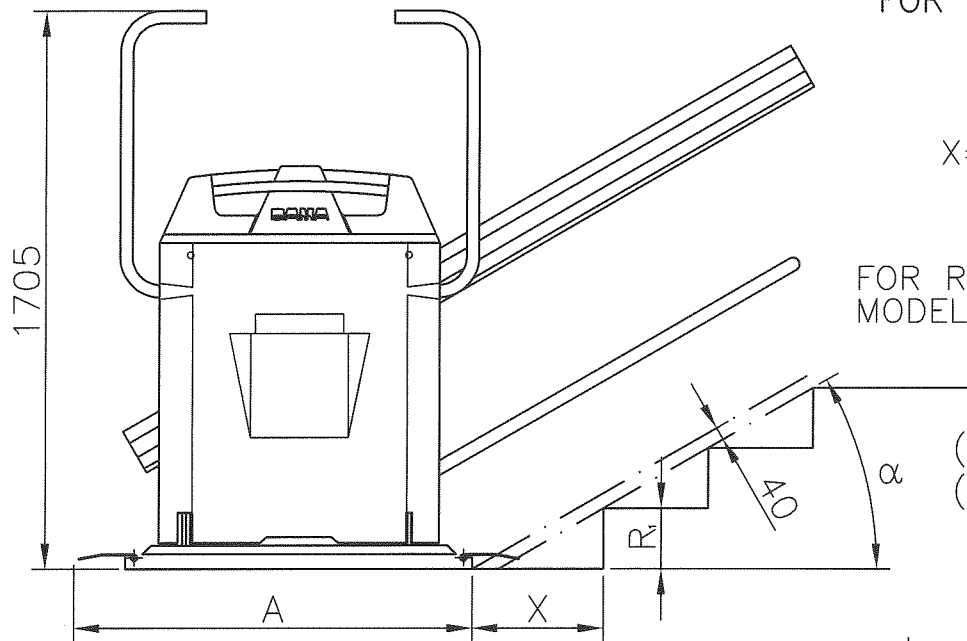
CAMA

FOR HANDI-LIFT TYPE 7

$$X = \frac{40}{\sin(\alpha)} + \frac{R_1}{\tan(\alpha)}$$

FOR RISE/-LOWER
MODEL X=55mm

(20°-45°) 250kg.
(20°-37°) 300kg.



*For installation
on columns +135mm
Rise/-Lower +45mm

	A	B*	C*
950x780	1145	1050	1140
950x730	1145	1000	1090
950x680	1145	950	1040
1000x800	1225	1050	1140
1000x750	1225	1000	1090
1000x700	1225	950	1040
1200x800	1390	1050	1140